

5X 5MP Smart Hybrid Light IP Camera

CMLEBRL5RC-X5



- Built-in Mic
- External SD Card Slot, Alarm I/O
- Face Detection
- Line Crossing Count
- Illegal Parking(based on vehicle shape and license plates)
- License Plate Detection
- Abandoned Object Detection & Removed Object Detection
- Heat Map



Camera

| | |
|-------------------------|---|
| Image Sensor | 1/2.8" SONY Starvis2 Back-illuminated CMOS sensor |
| Resolution | 5MP |
| Effective Pixels | 2608 (H) × 1964 (V) |
| Compression | H.264/H.264+/H.265/H.265+/MJPEG |
| Audio Compression | G711A/U,AAC,MP2L2 |
| TV System | PAL/NTSC |
| Electronic Shutter Time | Auto: 1/3-1/100000Sec |
| Minimum Illumination | Color: 0.003 Lux@(F1.6, AGC ON), 0 Lux with white light, B/W: 0 Lux with IR |
| S/N Ratio | 60dB |
| Scanning System | Progressive |
| Video Output | Network |
| Reset Button | Optional |

Lens

| | |
|--------------------|---|
| Focal Length & FOV | 2.7~13.5mm, horizontal FOV 28°~98°, vertical FOV 21°~71°, diagonal FOV 35°~133° |
| Lens Type | Varifocal Lens |
| Focus Control | Auto Focus |
| Aperture | F1.6~F3.3 |
| Pixels | AF-5MP |

Night Vision

| | |
|---------------------------|----------------------------|
| Supplement Light | IR 2PCS, Warm light 2PCS |
| Supplement Light Distance | IR 40m, Warm light 30m |
| Supplement Light Status | Auto Control |
| Supplement Light Power On | Smart, Manual & Timed mode |

Network

| | |
|---------------|---|
| Ethernet | RJ-45 (10/100Base-T) |
| Wireless | N/A |
| Protocol | TCP/IP, IPv4/v6, ICMP, HTTP, HTTPS, FTP, DHCP, DNS, DDNS, RTP, RTSP, RTMP, RTCP, PPPoE, NTP, SMTP, UDP, SNMP, Qos, 802.1x |
| ONVIF | Support ONVIF 24.12(Profile S/T/G/M) |
| P2P | YES |
| POE | Internal, Support IEEE 802.3af |
| Video Delay | 300ms (Within the Lan) |
| Main Stream 1 | 2592*1944@30fps 2560*1440@30fps |
| Main Stream 2 | 1920*1080@30fps |
| Main Stream 3 | 1280*720@30fps |
| Sub Stream 1 | 1280*720@30fps |
| Sub Stream 2 | 720*480@30fps |

| | |
|--------------|--|
| Sub Stream 3 | N/A |
| Tri Stream | 1280*720@30fps 720*480@30fps |
| IE Brower | Microsoft Edge, IE11, Google Chrome, Firefox, Mac Safari |
| Smart Phone | iPhone, Android |

AI Function

| | |
|----------------------|---|
| Intelligent Analysis | Intrusion Detection/Line Crossing Detection/Enter Area Detection/Leave Area Detection/ Line Crossing Count (based on human and vehicle detection), Loitering Detection/People Gathering Detection(based on human detection), Motion Detection(supports the detection based on human and vehicle movement), Face Detection, Illegal Parking (based on vehicle shape and license plates), License Plate Detection , Abandoned Object Detection , Removed Object Detection , Heat Map |
|----------------------|---|

Camera Features

| | |
|------------------|---|
| Day/Night | Color/ B&W (IR-CUT) |
| Image Config | Saturation/Brightness/Contrast/Sharpness, 3D NR, White Balance, Anti Flicker, Video Tampering, HLC, Mirror, Distortion, Scene Change Detection |
| Full Color | Support |
| Corridor Pattern | Support |
| Defog Mode | Support |
| ROI | Support |
| BLC | Support |
| WDR | 120dB |
| Motion Detection | Support(support enable the detection based on human and Vehicle movement) |
| Privacy Masking | 3 Rectangular Zone |
| Recording Mode | NVR/CMS/Web |
| Language | Chinese Simplified, Chinese Traditional, English, Korean, Polish, French, Japanese, Spanish, Portuguese, Italian, Hebrew, Ukrainian, Arabic, Vietnamese, Thai, Hungarian, Czech |

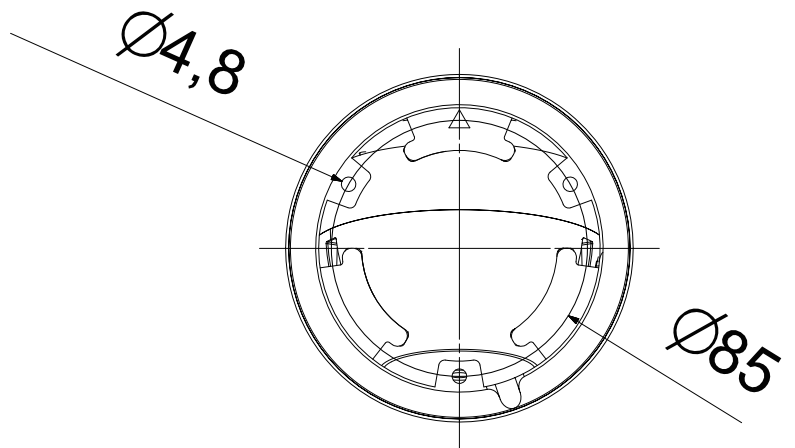
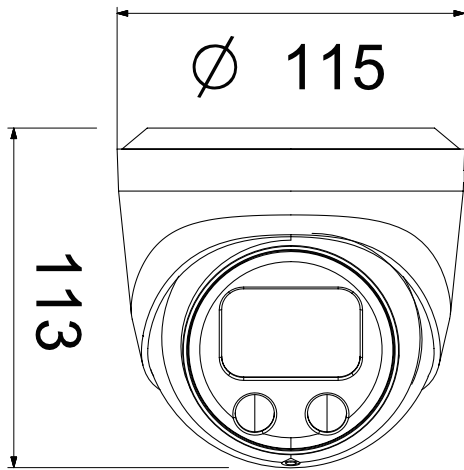
Interface

| | |
|--------------|---|
| Audio | Default:Built in Mic Option: Audio I/O Support Sound Detection |
| Alarm | Default: Without Option: Alarm I/O |
| SD Card Slot | Default: External SD card slot (Max 512GB) |
| RS485 | N/A |

General

| | |
|-----------------------|-------------------------------|
| Housing | Metal, IP67 |
| Anti-cut Bracket | NO |
| IR Cut Filter | YES |
| Operation Temperature | -30℃ ~ +60℃ RH95% Max |
| Storage Temperature | -30℃ ~ +60℃ RH95% Max |
| Power Source | DC12V±10%, 510mA |
| Dimension | ∅ 115 x 113 mm |
| Weight (N.W./G.W.) | Approx. 700 g / Approx. 800 g |

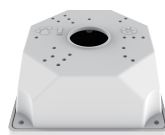
Dimensions (mm)



Optional Accessories



B320
Junction BOX



B116
Junction BOX



PB14146
Junction BOX